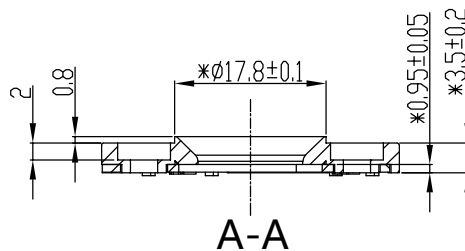
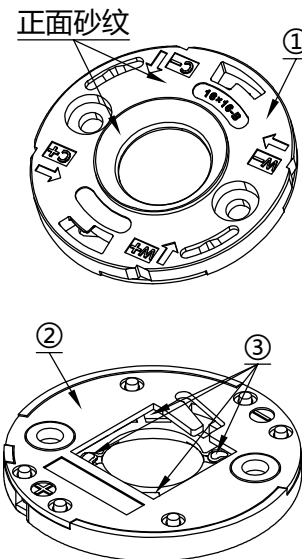
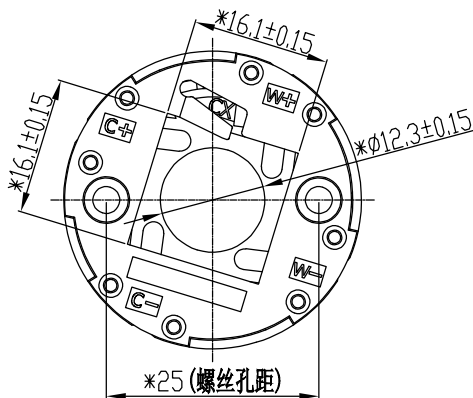
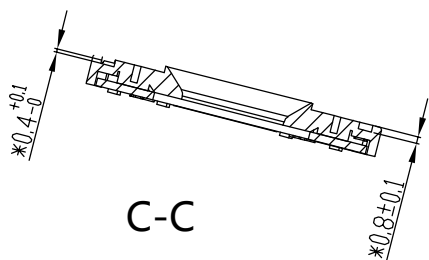


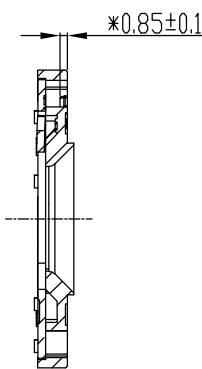
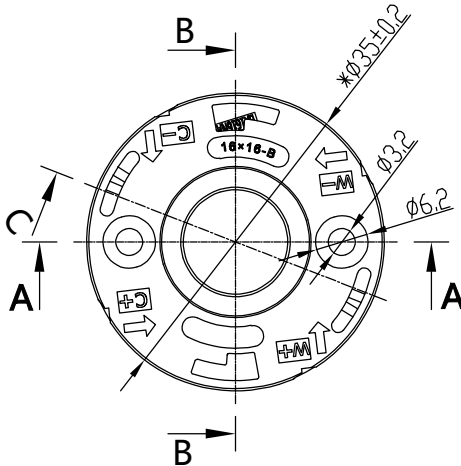
正面卡扣结构尺寸



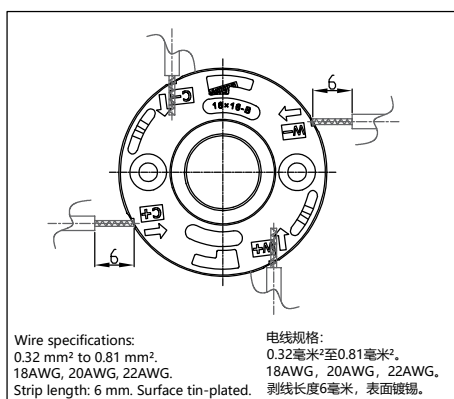
A-A



C-C



B-B



技术要求:

- 1.材质: 详见bom表。
Material: Refer to the BOM table.
2. "*" 标记为重点控制尺寸。
The "*" marked items are the key controlled dimensions.
- 3.未注公差按GB/T14486-2008-MT6。
The unmarked tolerances follow GB/T14486-2008-MT6.
- 4.适配: BXKC, CMB1516等基板规格为15.85×15.85的COB光源。
Compatibility: BXKC, CMB1516 and other substrate specifications with a size of 15.85×15.85 for COB light sources.

PRODUCT BOM				
NO.	PRODUCT NAME	PRODUCT CODE	QTY	MATERIAL / SURFACE TREATMENT
①	COB1616前盖-PBT白	97.70.520.00-Q1	1	PBT/White S0306
②	COB1616后盖-PBT白	97.70.520.00-H2	1	
③	COB免焊支架端子		4	t=0.25mm/Nickel plating + Hardening

				Nata [®]		版本 VERSIONS PL_K0	
				产品编码 PRODUCT CODE		92.70.520.01	
				产品名称 PRODUCT NAME		COB1616-B-L12 COB光源免 焊支架(4线)-PBT白 Ø35H3.5	
				客户 CUSTOMER		NT	
				客户产品编号 CUSTOMER PRODUCT CODE		COB1616-B-L12-PK35-4线 LED HOLDER-PBT白	
标记 MARK	处数 NO. OF MODIF.	更改内容 MODIFICATIONS		签名 SIGNED BY	更改日期 MODIF. DATE		
设计 DESIGNER		制图 DRAWN BY		比例 SCALE	1:1		
工艺 TECHNICIAN		审核 CHECKED BY		视角 1st ANGLE PROJECTION			
批准 APPROVED BY		日期 DATE (DD-MM-YYYY)	22-12-2025	页 PAGE	SHEET 1 OF 1	部件产品图 COMPONENT PRODUCT DRAWING	
				单位 UNIT	mm		